

VEXO208

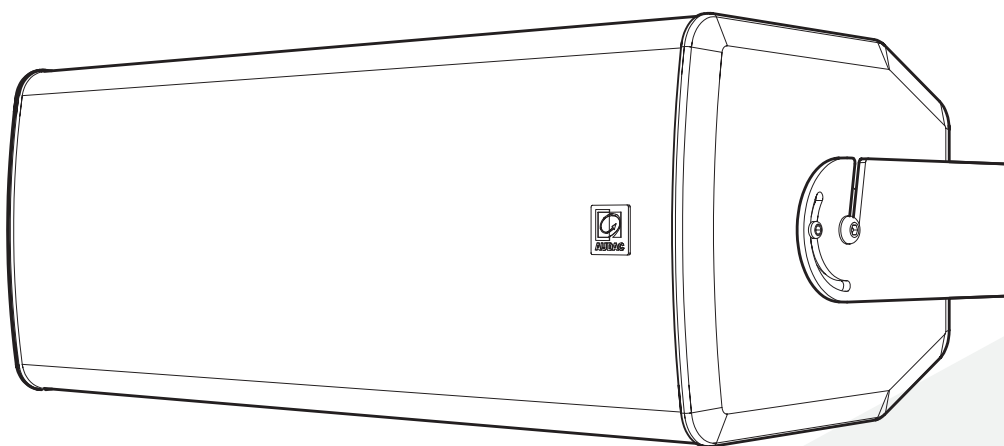


Table of contents



Introduction	03
High performance loudspeaker	03
Precautions	04
Chapter 1	06
Overview and connecting VEXO2xx	06
Chapter 2	07
Installing VEXO2xx	07
Technical specifications	09

ADDITIONAL INFORMATION

High performance loudspeaker

The VEXO208 is a high-output 3-way loudspeaker, providing a powerful and detailed signature sound of the VEXO family with a dual 8-inch driver in a compact cabinet.

The combination of the elegant enclosure and high performance allows them to be used in installation applications that require both a modern look and a unique audio experience from nightclubs to sports facilities. Compression driver overload protection is provided through an internal limiting circuit. Mounting in both horizontal and vertical directions is possible with the included wall bracket. An optional 70/100V transformer module can be installed to use VEXO208 in Hi-Z systems. The VEXO208 loudspeaker is available in Black (/B) or White (/W).

READ FOLLOWING INSTRUCTIONS FOR YOUR OWN SAFETY

ALWAYS KEEP THESE INSTRUCTIONS. NEVER THROW THEM AWAY

ALWAYS HANDLE THIS UNIT WITH CARE

HEED ALL WARNINGS

FOLLOW ALL INSTRUCTIONS

NEVER EXPOSE THIS EQUIPMENT TO RAIN, MOISTURE, ANY DRIPPING OR SPLASHING LIQUID. AND NEVER PLACE AN OBJECT FILLED WITH LIQUID ON TOP OF THIS DEVICE

NO NAKED FLAME SOURCES, SUCH AS LIGHTED CANDLES, SHOULD BE PLACED ON THE APPARATUS

DO NOT PLACE THIS UNIT IN AN ENCLOSED ENVIRONMENT SUCH AS A BOOKSHELF OR CLOSET. ENSURE THERE IS ADEQUATE VENTILATION TO COOL THE UNIT. DO NOT BLOCK THE VENTILATION OPENINGS.

DO NOT STICK ANY OBJECTS THROUGH THE VENTILATION OPENINGS.

DO NOT INSTALL THIS UNIT NEAR ANY HEAT SOURCES SUCH AS RADIATORS OR OTHER APPARATUS THAT PRODUCE HEAT

DO NOT PLACE THIS UNIT IN ENVIRONMENTS WHICH CONTAIN HIGH LEVELS OF DUST, HEAT, MOISTURE OR VIBRATION

THIS UNIT IS DEVELOPED FOR INDOOR USE ONLY. DO NOT USE IT OUTDOORS

PLACE THE UNIT ON A STABLE BASE OR MOUNT IT IN A STABLE RACK

ONLY USE ATTACHMENTS & ACCESSORIES SPECIFIED BY THE MANUFACTURER

UNPLUG THIS APPARATUS DURING LIGHTNING STORMS OR WHEN UNUSED FOR LONG PERIODS OF TIME

ONLY CONNECT THIS UNIT TO A MAINS SOCKET OUTLET WITH PROTECTIVE EARTHING CONNECTION

THE MAINS PLUG OR APPLIANCE COUPLER IS USED AS THE DISCONNECT DEVICE, SO THE DISCONNECT DEVICE SHALL BE READILY OPERABLE

USE THE APPARATUS ONLY IN MODERATE CLIMATES

**CAUTION - SERVICING**

This product contains no user serviceable parts. Refer all servicing to qualified service personnel. Do not perform any servicing (unless you are qualified to)

**EC DECLARATION OF CONFORMITY**

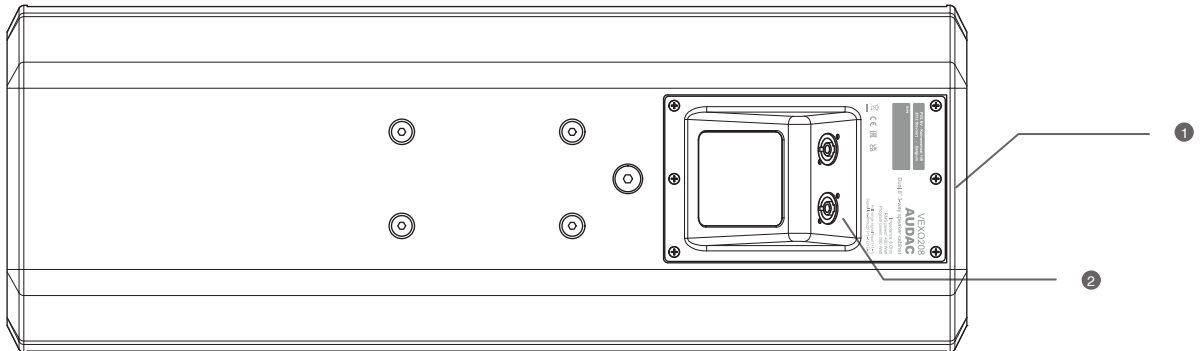
This product conforms to all the essential requirements and further relevant specifications described in following directives: 2014/30/EU (EMC2) & 2014/35/EU (LVD).

**WASTE ELECTRICAL AND ELECTRONIC EQUIPMENT (WEEE)**

The WEEE marking indicates that this product should not be disposed with regular household waste at the end of its life cycle. This regulation is created to prevent any possible harm to the environment or human health.

This product is developed and manufactured with high quality materials and components which can be recycled and/or reused. Please dispose this product at your local collection point or recycling centre for electrical and electronic waste. This will make sure that it will be recycled in an environmentally friendly manner, and will help to protect the environment in which we all live.

Overview and connecting VEXO208



1) Rigging points

The VEXO208 is equipped with two M10 and M6 rigging points on the sides for the included U bracket. At the back of the unit, you will find a M8 mounting pattern. This universal pattern serves as a mounting point for various mounting arrangements.

2) SpeakON compatible

The wires coming from the amplifier should be connected to the speakON on the back of the loudspeaker. The used speaker connectors are 4-pin models where to the full range signal should be connected to +1/-1 terminals.

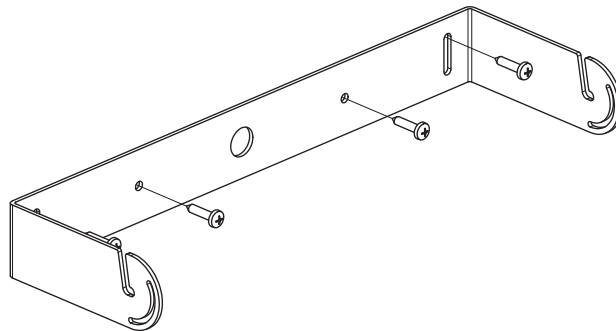
The second connector can be used for linking the signal coming from the amplifier to other loudspeakers, resulting in a parallel network of multiple loudspeakers.

Installing VEXO208

The VEXO208 comes with a U bracket for horizontal and vertical installation.

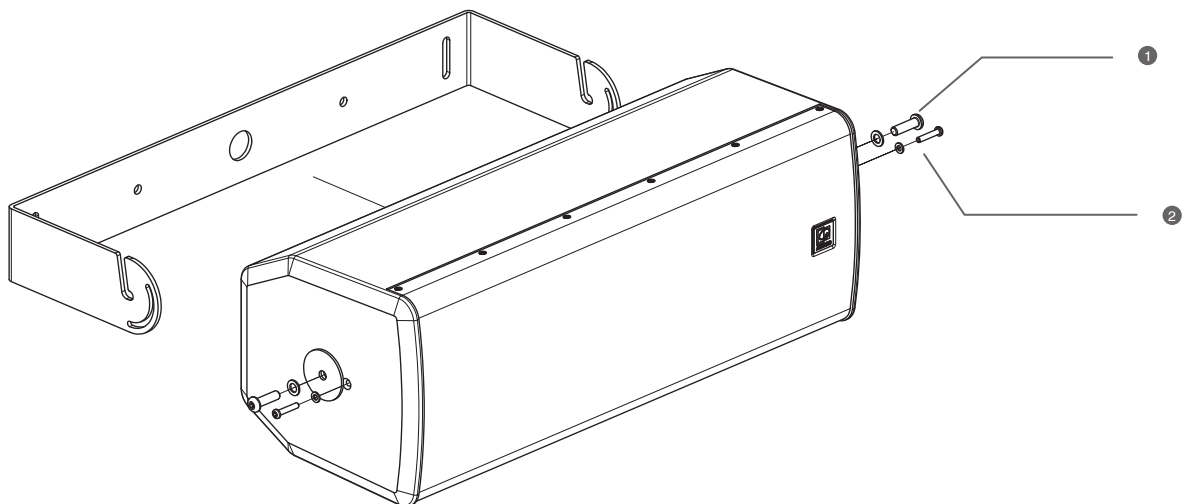
1) Install the U bracket

The VEXO208 is equipped with two M10 and M6 rigging points on the sides for the included U bracket. The first step is mounting the supplied U bracket to the desired location on the wall. The wall mount has to be fixed by four screws. The used fasteners should be chosen depending to the mounting surface (brick, concrete, wood, ...)



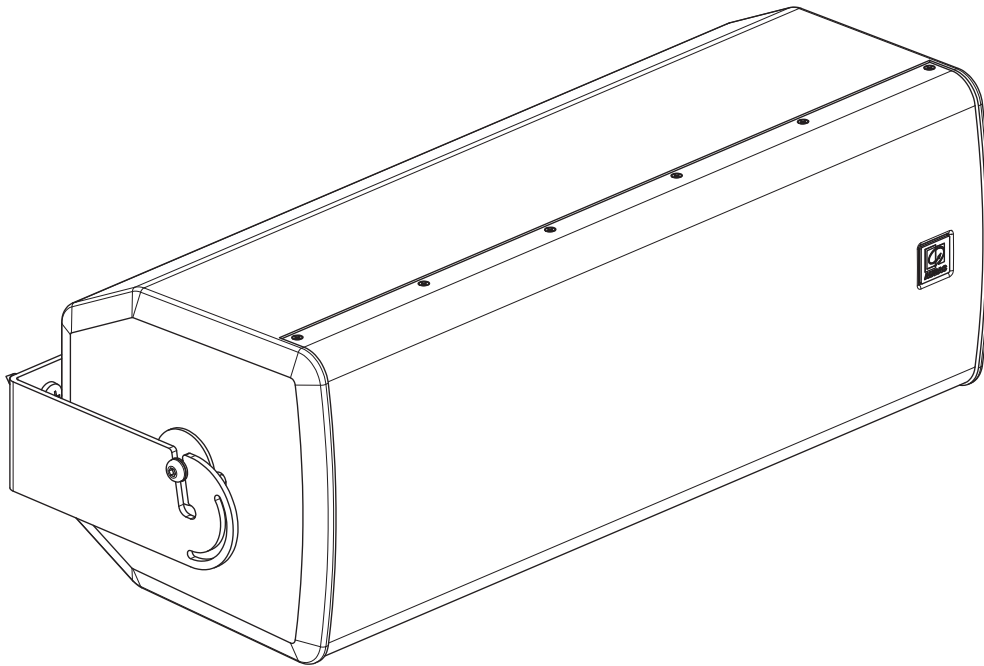
2) Install M10 rigging screws

The VEXO208 is equipped with two M10 (1) and M6 (2) rigging points on the sides for the included U bracket. To place the speaker on the bracket, first place the M10 screws on the sides.



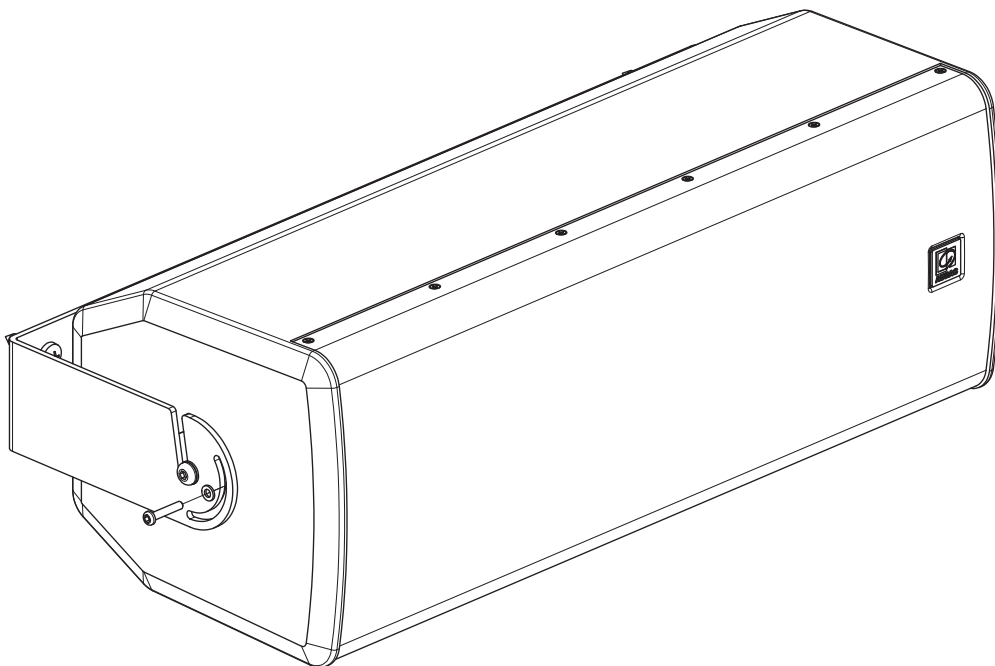
3) Placing the VEXO 208 into the U bracket

The U-bracket has two slides and an angle adjustment point on the sides. Carefully place the VEXO208 into the U-bracket with the M10 fixing screws aligned with the slides.



4) Aiming the VEXO208

The last step in the installation procedure of the VEXO208 is pointing it at the aiming angle (-90° - 35°). Once the desired angle is set M6 rigging screws can be placed on the sides and both M10 and M6 rigging screws can be tightened.



Technical specifications



VEXO208	
Peak Power handling	1600 Watt
Program Power handling	800 Watt
RMS/AES power handling	400 Watt
Nominal impedance	4 Ohm
Sensitivity 1W/1m	94 dB
Sound pressure Max W/1m	121 dB
Frequency response - 3dB	75Hz - 20 kHz
Drivers	Coaxial compression driver with 1.4" voice coil and 1" throat 1 x 8" Coaxial LF with 2" voice coil, 1x8" Coaxial LF with 1.8" voice coil
Coverage	TBD
Connectors	2 x speaker connectors (linkthrough) Speakon compatible
Construction	Plywood with Polyurethane coating
Front finish	Powder coated steel grill with acoustical foam
Rigging points	2 x M10+M6 (bracket)
Stand fitting	None
Handle	None
Mounting pattern	At the back of the device (108 x 50.8 mm)
Colour	White (RAL9003) Black (RAL9004)
Dimensions (w x h x d)	710 x 260 x 290 mm
Weight	17 Kg
Included accessories	U bracket Drop safety wire
Optional accessories	70/100V transformer module



Discover more on audac.eu